

Series AI25 BiSS Interface

- Up to 17 Bit single-turn resolution
- 4096 revolutions of multi-turn resolution
- Short installation depth
- Safety through self-diagnostics
- Solid shaft and hollow shaft versions
- -40° C to +100° C Operating temperature

CE
ACURO



APPLICATION/INDUSTRY

The Dynapar brand ACURO Absolute Encoder offers a modern full-feature design equipped with BiSS interface.

DESCRIPTION

The **Acuro AI25** is available in a single-turn or multi-turn versions. Its multi-turn design is based on a reliable high-speed gear with optical scanning and the latest generation of OptoASIC technology.

Mechanical concept is based on a double ball bearing design, and is available as a solid-shaft or hollow-shaft version in common shaft diameters.

BiSS is a new, fully-digital and bi-directional sensor interface. It defines communication between one master and several slaves (sensors) in industrial control systems. BiSS manifests a new standard in technology and is available license-free. Due to its high performance, it constitutes an efficient alternative to the standard combination of data interface and analog sine/cosine incremental output.

BiSS needs only 6 wires and does not require any hardware for analog signals - and therefore, helps to reduce system costs.

Self-configuration allows "plug+play" and keeps the system in an operable condition even after a power failure. For detailed information on BiSS and support, please visit www.biss-ic.de

FEATURES AND BENEFITS

- Compact design to save valuable space
- Low power consumption
- Fast delivery of any model variant
- Additional field-bus and point-to-point interfaces available

SPECIFICATIONS

STANDARD OPERATING CHARACTERISTICS

Single-turn Resolution: 10, 12, 13, 14, 17 Bit
Multi-turn Resolution: 12 bit (only available with 12, 13, 14 or 17 bit ST resolution)
Linearity: +/- 1/2 LSB
Absolute Accuracy: ± 0.01° mechanical (36 arc-sec.)
Repeatability: ± 0.002° mechanical (7.2 arc-sec.)
Code format: Binary, Gray, Gray Excess, parameterization through *AcuroSoft*
Parameterization: Resolution code type, sense of rotation, warning, alarm

ELECTRICAL

Connection: Cable, M23 - 12 pole Conin connector, M12 - 8-pole connector
Supply voltage: 5 VDC -5%/+10% or 10-30 VDC
Intrinsic current consumption: 50 mA (ST), 100 mA (MT) not including output current
Output current: 60 mA per bit, short circuit protected
Frequency response: 500 kHz
Maximum cable length: 400 m
Control Inputs: Direction
Alarm output: Warning and Alarm bits
Status LED: Green = OK, Red = Alarm (IP64 only)
Preset Switch: Sets encoder to zero output at present mechanical position (IP64 only)

BiSS Benefits

- All digital interface eliminates the costs of interpolation electronics
- Offers transmission reliability through a 4-bit cyclic redundancy check (CRC)
- Represents the only fully digital, open motor feedback interface for real-time applications

MECHANICAL

Shaft diameter:
 Shaft: 6 mm (Servo Mount), 10 mm (Clamping Mount), 3/8" (Square Flange Mount)
Hubshaft: 10mm, 12 mm, 3/8", 1/2"
Maximum shaft load:
 6 mm shaft: 13 lb axial, 24 lb radial
 10 mm shaft: 24 lb axial, 35 lb radial
Maximum shaft speed: 10,000 RPM (continuous), 12,000 RPM (peak)
Starting torque: < 1.4 in-oz
Weight (approx.): 350 g ST, 400 g MT
Shaft tolerance (hubshaft only): +/- 1.5 mm axial, +/- 0.2 mm radial
Flange configurations: Square, Clamp, Servo, Hubshaft with flexible tether
Bearing life:
 1 x 10¹⁰ revolutions at 35% full rated shaft load
 1 x 10⁹ revolutions at 75% full rated shaft load
 1 x 10⁸ revolutions at 100% full rated shaft load

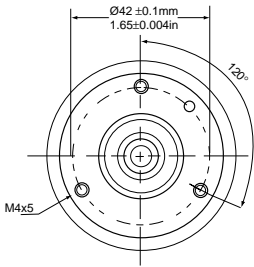
ENVIRONMENTAL

Operating Temperature: -40 to 100° C
Storage Temperature: -40 to 100° C
Enclosure Rating: IP64 or IP67
Shock: 1,000 m/s² (6 ms)
Vibration: 100 m/s² (10 to 2,000 Hz)

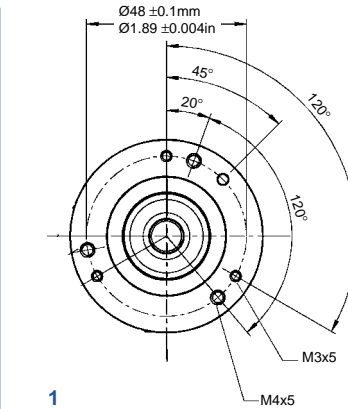
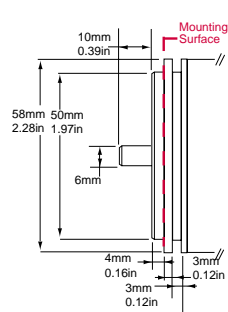
Code 1: Model	Code 2: Bits	Code 3 :Mounting	Code 4: Shaft Size	Code 5: Protocol	Code 6: Electrical	Code 7: Connector
AI25	<input type="checkbox"/> <input type="checkbox"/> <input type="checkbox"/> <input type="checkbox"/>	<input type="checkbox"/>	<input type="checkbox"/>	<input type="checkbox"/>	<input type="checkbox"/>	<input type="checkbox"/>
AI25 Size25 Acuro Absolute Encoder	Single-Turn 0010 10 Bit 0012 12 Bit 0013 13 Bit 0014 14 Bit 0017 17 Bit Multi-Turn 1212 12 Bit Multi-Turn, 12 Bit Single-Turn 1213 12 Bit Multi-Turn, 13 Bit Single-Turn 1214 12 Bit Multi-Turn, 14 Bit Single-Turn 1217 12 Bit Multi-Turn, 17 Bit Single-Turn	Available when Code 4 is 0 or A 0 Servo* Available when Code 4 is 2 or C 1 Clamping* Available when Code 4 is 1 or B 2 Square flange** Available when Code 4 is 3, 4, 5 or 6 3 Hubshaft w/tether† * 58mm Dia. ** 2.5" Square † 63mm BC	w/o shaft seal (IP64) 0 6 mm 1 3/8" 2 10 mm 3 3/8" Hub Shaft 4 12 mm Hubshaft 5 1/2" Hubshaft 6 10 mm Hub Shaft w/ shaft seal (IP67) A 6 mm B 3/8" C 10 mm	A BiSS	0 5 VDC 2 10-30 VDC	0 1.5m axial cable 1 1.5m radial cable 2 M23 Conin 12 pin axial CW 3 M23 Conin 12 pin radial CW C M12 , 8-pole connector axial D M12 , 8-pole connector radial

Series AI25 BiSS Interface

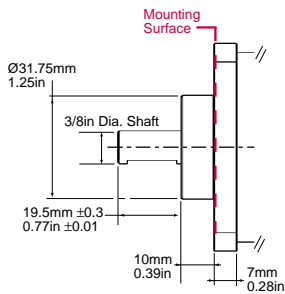
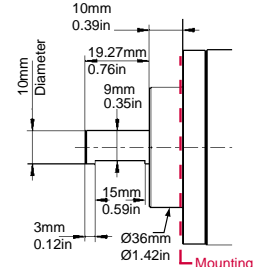
Code 3: Mounting



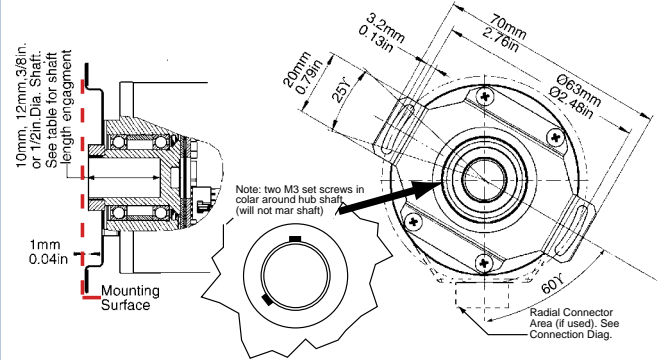
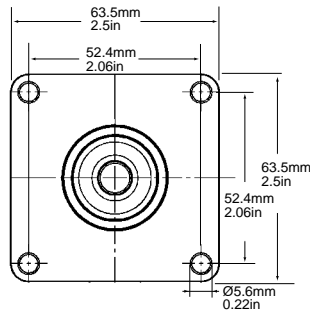
0
Servo



1
Clamping



2
Square Flange

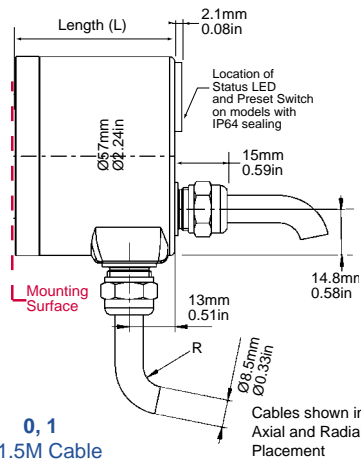


3
Hubshaft w/Tether

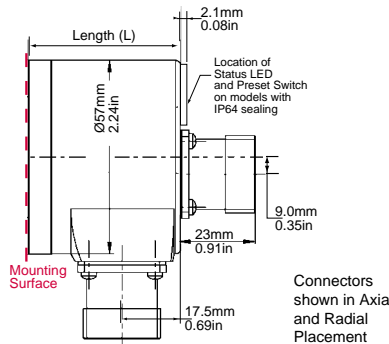
Hubshaft Shaft Engagement

HubShaft Diameter	Min. Shaft Length	Max. Shaft Length
10mm, 3/8"	15mm (0.59")	20mm (0.79")
12mm, 1/2"	18mm (0.71")	20mm (0.79")

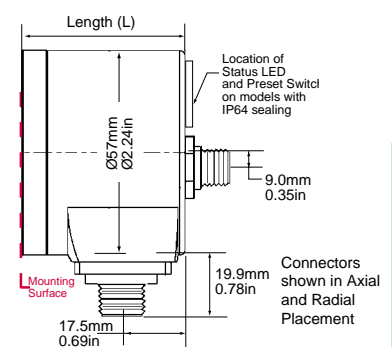
Code 7: Connector



0, 1
2.1.5M Cable



2, 3
Conin 12 Pin Connector



C, D
M12, 8-pole Connector

Length (L) Mounting Surface to Rear

Mount (Code 3)	Single-Turn	Multi-Turn
(0) Servo	46.5/1.83	46.5/1.83
(1) Clamping	45.5/1.79	45.5/1.79
(2) Square Flng	45.5/1.79	45.5/1.79
(3) Hubshaft	53.4/2.1	53.4/2.1

Length (L) Mounting Surface to Rear

Mount (Code 3)	Single-Turn	Multi-Turn
(0) Servo	46.5/1.83	46.5/1.83
(1) Clamping	45.5/1.79	45.5/1.79
(2) Square Flng	45.5/1.79	45.5/1.79
(3) Hubshaft	53.4/2.1	53.4/2.1

Length (L) Mounting Surface to Rear

Mount (Code 3)	Single-Turn	Multi-Turn
(0) Servo	46.5/1.83	46.5/1.83
(1) Clamping	45.5/1.79	45.5/1.79
(2) Square Flng	45.5/1.79	45.5/1.79
(3) Hubshaft	53.4/2.1	53.4/2.1